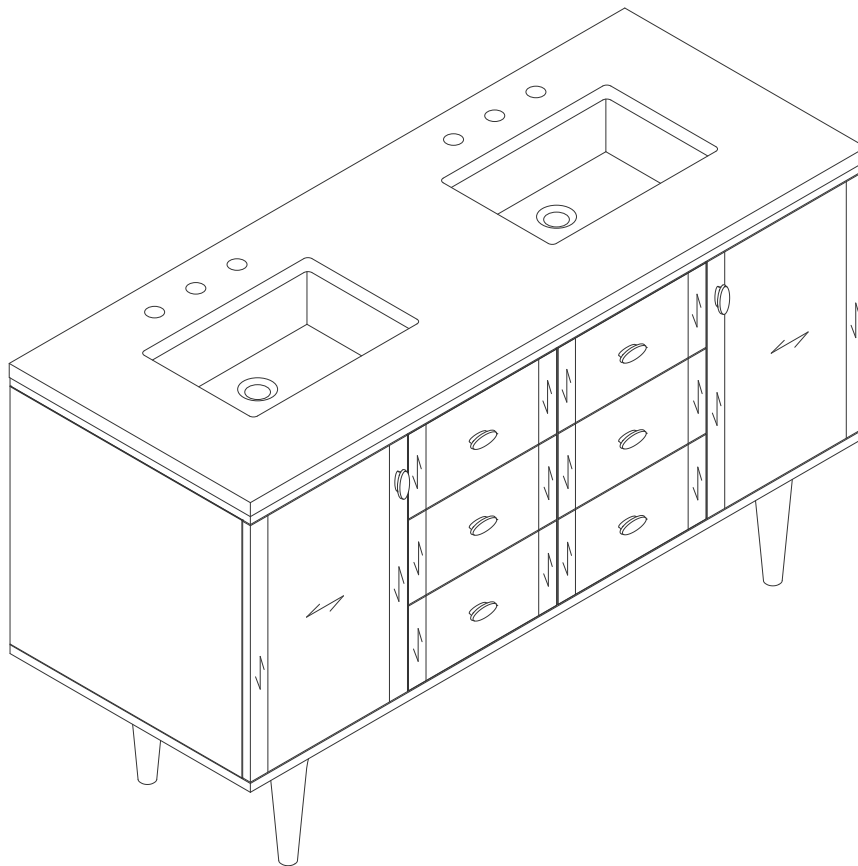


60" DEMI DOUBLE VANITY

EDWARD MARTIN

190.143.0097



Features and Materials

Solids: Para wood and Yellow Poplar

Veneers: Quarter Cut Walnut

Panels: Plywood

Installation Type: Floor Standing with Base or Wall Mounted

Number of Basins: Two, with optional 3cm top

Vanity Top Included: NO, Optional 3cm Tops Available with Sinks

Overflow: Yes, Front Facing

Number of Doors: Two

Number of Drawers: Four

Number of Tip Outs: Two

USB/Power Component: YES (ETL5011080)

Cord Length: 6'6"

Assembly Type: Installation of Optional 3cm Top with Sink

Assembly Type: Remove Base to Wall Hang (hardware included)

Bamboo Storage Tray: One

Drawer Box Material and Construction: 12mm Plywood/English Dovetail Joinery

Hardware Material and Finish: Zinc Alloy in Champagne Brass

Fits Drain Hole Size: 1 3/4"

Full Extension, Soft Close Glides

European Soft Close Hinges

Aluminum Laminate Drawer Liners

Adjustable Levelers

Dimension

Width: 59-7/8"

Depth: 23-1/2"

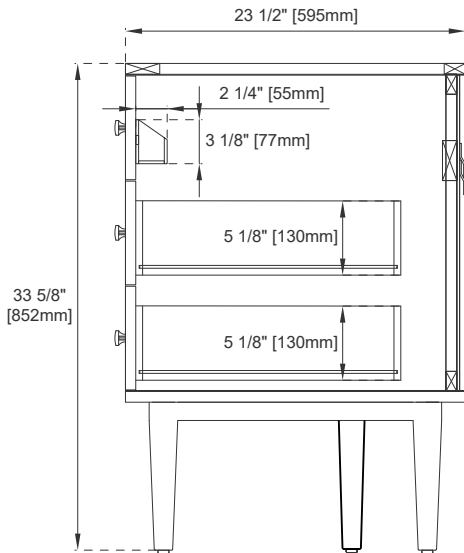
Height: 33-5/8"

Rough-In Height: 21-1/2"

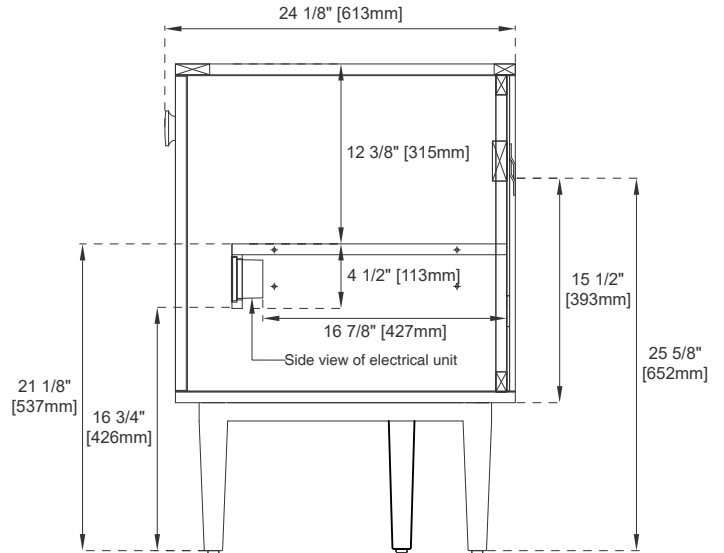
60" DEMI DOUBLE VANITY

EDWARD MARTIN

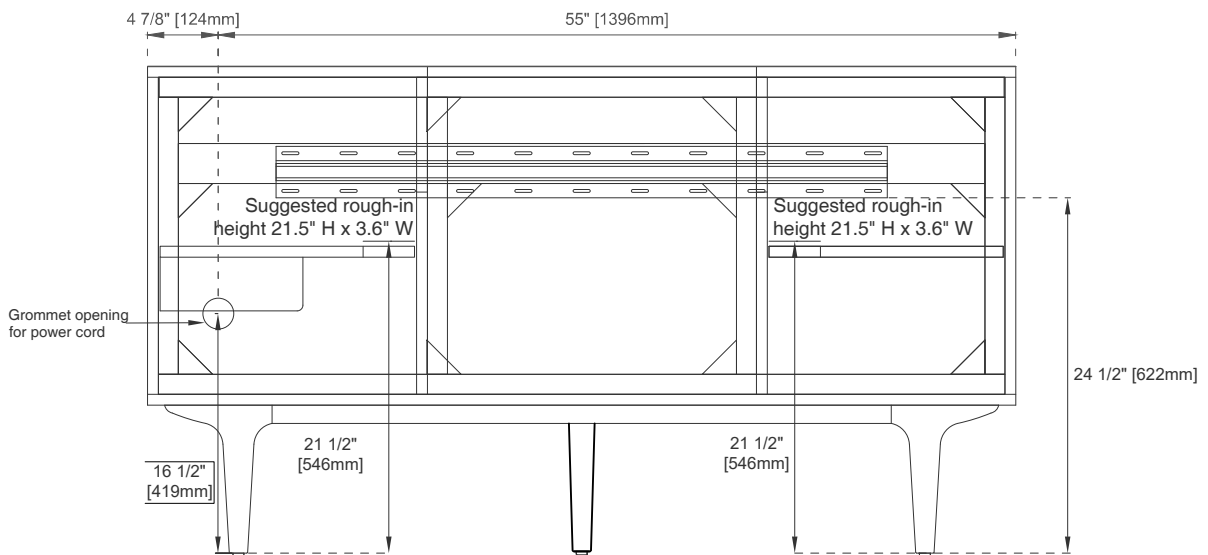
190.143.0097



Side View



Side View



Back View

All dimensions are nominal
Diagrams are of cabinet only. Optional Countertops and sinks are not shown.